

# Data Sheet

## Weatherproof Exit Enclosure

CAT NO. **686270**



**686270**

<b>Cat No</b>	<b>686270</b>
<b>Description</b>	Weatherproof Exit Enclosure
<b>IP Rating</b>	IP65
<b>Body Construction</b>	Polycarbonate – white finish
<b>Diffuser</b>	Clear Polycarbonate
<b>Suitable for</b>	E2 LED Edgelight Exit signs, G2 LED Exit signs

# Weatherproof Exit Enclosure

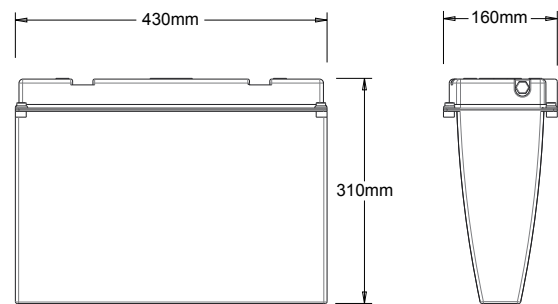
CAT NO. **686270**



**686270**

- Non corrosive polycarbonate housing
- Easy-to-install on wall or ceiling
- IP65 enclosure
- Slim and aesthetic design
- Ideal for carparks, railway platforms, general exterior applications

## Dimensions:



Legrand - Australia  
1300 369 777  
[www.legrand.com.au](http://www.legrand.com.au)  
ABN 31 000 102 661

Legrand - New Zealand  
0800 476 009  
[www.legrand.co.nz](http://www.legrand.co.nz)

Refer to your group buying office, Legrand Sales Representative or Legrand Sales Office for pricing.

Please note: specifications are subject to change without prior notice.